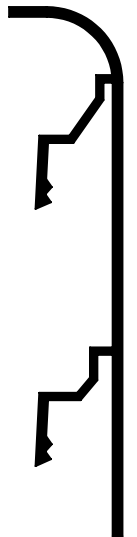
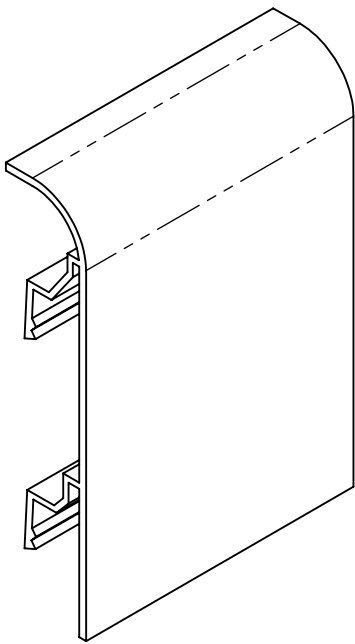



A' %%



A' %%

	G		1/2											
	D		1/2											
		\$\&\&\$	> #1/2											
	8		& 1/2											
					<table border="1"> <tr> <td>TM A"</td> <td>\$\pm AA\pm\$</td> <td>\$\pm AEA\pm^2\$</td> </tr> <tr> <td></td> <td></td> <td></td> </tr> <tr> <td>TM AA.</td> <td></td> <td>TM AA. 3.</td> </tr> </table>	TM A"	\$\pm AA\pm\$	\$\pm AEA\pm^2\$				TM AA.		TM AA. 3.
TM A"	\$\pm AA\pm\$	\$\pm AEA\pm^2\$												
TM AA.		TM AA. 3.												
				<p>Y'1/4 3A~AA^ - + # + G</p>										
				<p>\$\frac{1}{4} 1/2 3/4^0\$ $\pm 3/4 U^1 A^2 \pm 3/4 3/4^0$</p>	<p>oeee'YY' "</p> <p>\$\tilde{A} \# \tilde{A} \Rightarrow \tilde{A} \cdot \tilde{A} (-) \cdot \tilde{A} * \\$ \%, *! +</p>									