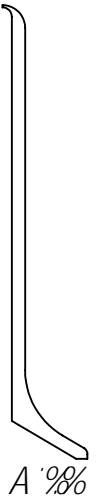
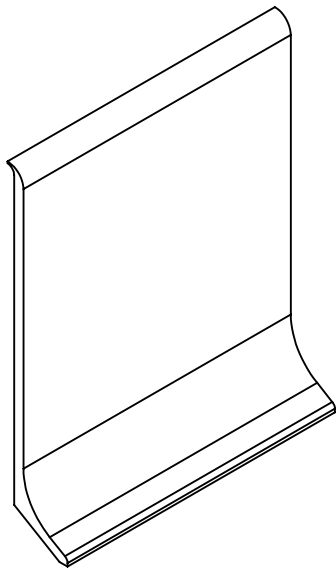



A & %



A %

	G		$1/2$								
	D		$1/2$								
		$S \times 2$	$\times \#1/2$								
	8		$1/2$								
	$1 \pm A \pm 2"$ $Y A \pm 3"$ $E'' \times 3 A A''$		$Y \pm A \pm 1 A'$ $\pm 3/4 U' A'$	$\pm A \pm$ <small>(85) 25%</small>	$Y 1/4 3 A A A' - S \# * G$						
					<table border="1"> <tr> <td>$T M A''$</td> <td>$S \pm A A \pm$</td> <td>$S \pm A E A \pm 2$</td> </tr> <tr> <td>$T M A A.$</td> <td colspan="2">$T M A A \pm 3.$</td> </tr> </table>	$T M A''$	$S \pm A A \pm$	$S \pm A E A \pm 2$	$T M A A.$	$T M A A \pm 3.$	
$T M A''$	$S \pm A A \pm$	$S \pm A E A \pm 2$									
$T M A A.$	$T M A A \pm 3.$										
				$S 1/4 1/2 3/4$ $\pm 3/4 U' A' \pm 3 \pm 3/4$	$o e e e Y Y \bullet "$ $\tilde{A} \# A \pm \tilde{A} \tilde{A} (-) E * S \%, *! +$						